

PARTS ASSEMBLIES FOR

Bonis Model TC-57

BONIS BROS. SEWING MACHINERY CORP.

131 West 29th Street, New York, N. Y. 10001 • Phone 212/563-6161

Cable Address: "BONIBRO"

Copyright (c) 1971
Bonis Bros. Sewing Machinery Corp.
All Rights Reserved

MAIN FRAME ASSEMBLY

Refer. No.	Part No.	Description	
1	226	Tension Nut	
2	133	Top Cover Tension Spring	
3(2)	129	Tension Disc	
4(213	Tension Post	
5(2)	128	Top Cover Thread Guide	
6	603	Top Cover	
6A	704	Front Cover	
68(2)	221	Front Cover Screw	
7	608	Top Cover Oil Well	
8(8)	405	Top Cover Hinge Screws	
9(2)	612	Top Cover Hinge Stoppers	
10(2)	611	Top Cover Hinges	
11	610	Top Cover Lock Spring	
12(2)	248	Main Shaft Bushing Screws	
13(2)	409	Small Oil Cups	
14	30-B-T	Main Shaft Bushing, short Bronze	
15	29-B-T	Main Shaft Bushing, long Bronze	
16	105-51	Main Shaft for TC-57 3/8" & 1/2" diameter	
17	24	Belt Wheel	
18	203	Belt Wheel Screw	
19	117-B-TC	Needle Bar Bushing	
20	118-T	Needle Bar Bushing Collar	
21	19-TC	Feed Disc Arm complete with pins	
		19-TC (not illustrated) Feed Disc Arm without pins	
22	108-A-TC	Top Arm Pin	
23	108-TC	Bottom Arm Pin	
24	19-A-TC	Arm Support Bracket	
25	19-B-TC	Arm Support Bracket Clamp	
26(4)	19-C-TC	Arm Support Bracket Screws	
27(2)	219-S	Arm Pinch Screws	
28	107-S	Disc Stud-----	
29	121-S	Needle Guard	
30(2)	639	Needle Guard Screws	} SOLD AS COMPLETE UNIT #18-S-C
31	18-S	Front Feed Disc	
32	39-S	Disc Stud Screw Washer	
33	426	Disc Stud Screw-----	
#28 through #33 sold as complete unit #18-S-C			
34	107-N	Front Feed Disc Stud-----	
35	121-N-1-1/8"	Needle Guard	
36(2)	639-N	Needle Guard Screws	} SOLD AS COMPLETE UNIT #18-N-1-1/8"-C
37	18-N-1-1/8"	Front Feed Disc	
38	46-S	Disc Stud Screw Washer	
33	426	Disc Stud Screw-----	
#33 through #38 sold as complete unit #18-N-1-1/8"			
33	426	Disc Stud Screw-----	
34	107-N	Front Feed Disc Stud	
38	46-S	Disc Stud Screw Washer	} SOLD AS COMPLETE UNIT #18-N-7/8"-C
39	121-N-7/8	Needle Guard	
40(2)	639-N	Needle Guard Screws	
41	18-N-7/8"	Front Feed Disc-----	
#33 thru 41 sold as complete unit assembled-Front Feed Disc-18-N-7/8" C			
42	1-TC	Main Frame	
43	259	Pressure Lever Adjusting Screw	
44	157	Pressure Lever Spring	
45		Chain	
46	250	Pressure Lever Adjusting Screw Nut	
47	21	Pressure Lever	
48	158	Pressure Lever Shaft	
49	44-TC	Top Gear Guard	
50(2)	221	Top Gear Guard Screws	
51	32-TC	Hub Gear	
52(2)	202	Set Screw For Hub Gear	
53	40-TC	Rear Feed Gear	
40-TC includes parts numbers 41-TC & 42-TC sold as a complete unit only			
54	18-3"-TC	Rear Feed Disc-Also available in saw tooth wheel (Not illust.)	
=18-3"-TC includes parts numbers 41-TC, 43-TC and 426 sold as complete unit only.			
55	45-TC	Bottom Gear Guard	
56-21	221-N	Bottom Gear Guard Nuts	
57-2	224	Feed Shaft Screw Nuts	
58-2	20" L	Pressure Lever Shaft Screws (long)	
59	20" S	Pressure Lever Shaft Screw (short)	

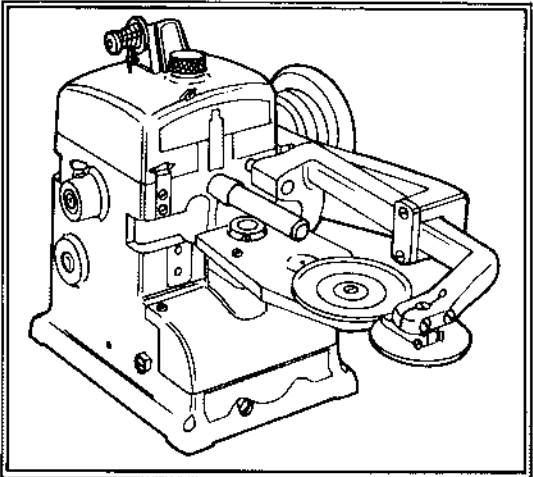
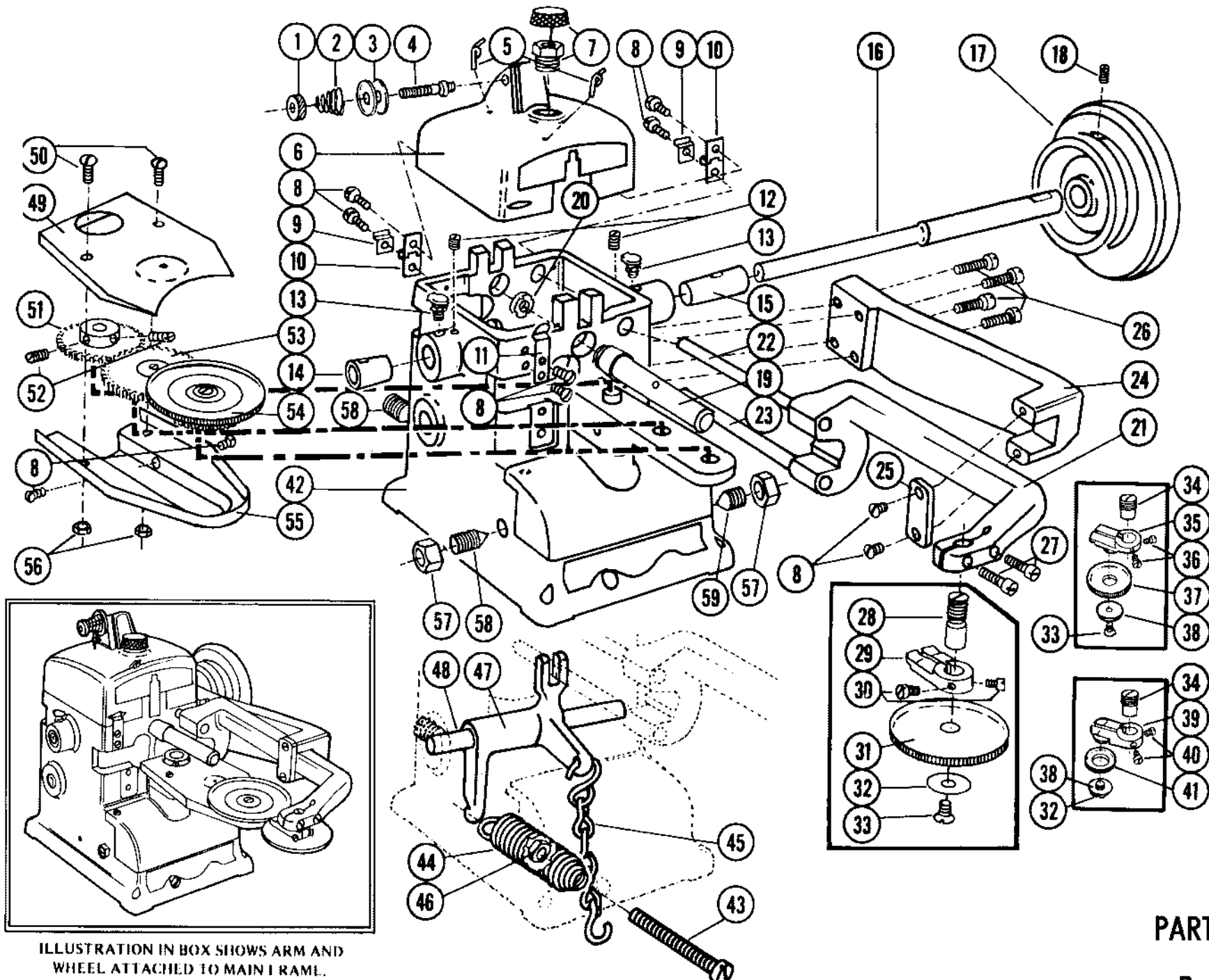


ILLUSTRATION IN BOX SHOWS ARM AND WHEEL ATTACHED TO MAIN FRAME.

From the library of: Superior Sewing Machine & Supply LLC

CAUTION: When ordering parts, kindly state serial number and Model of Machine.

PARTS ASS

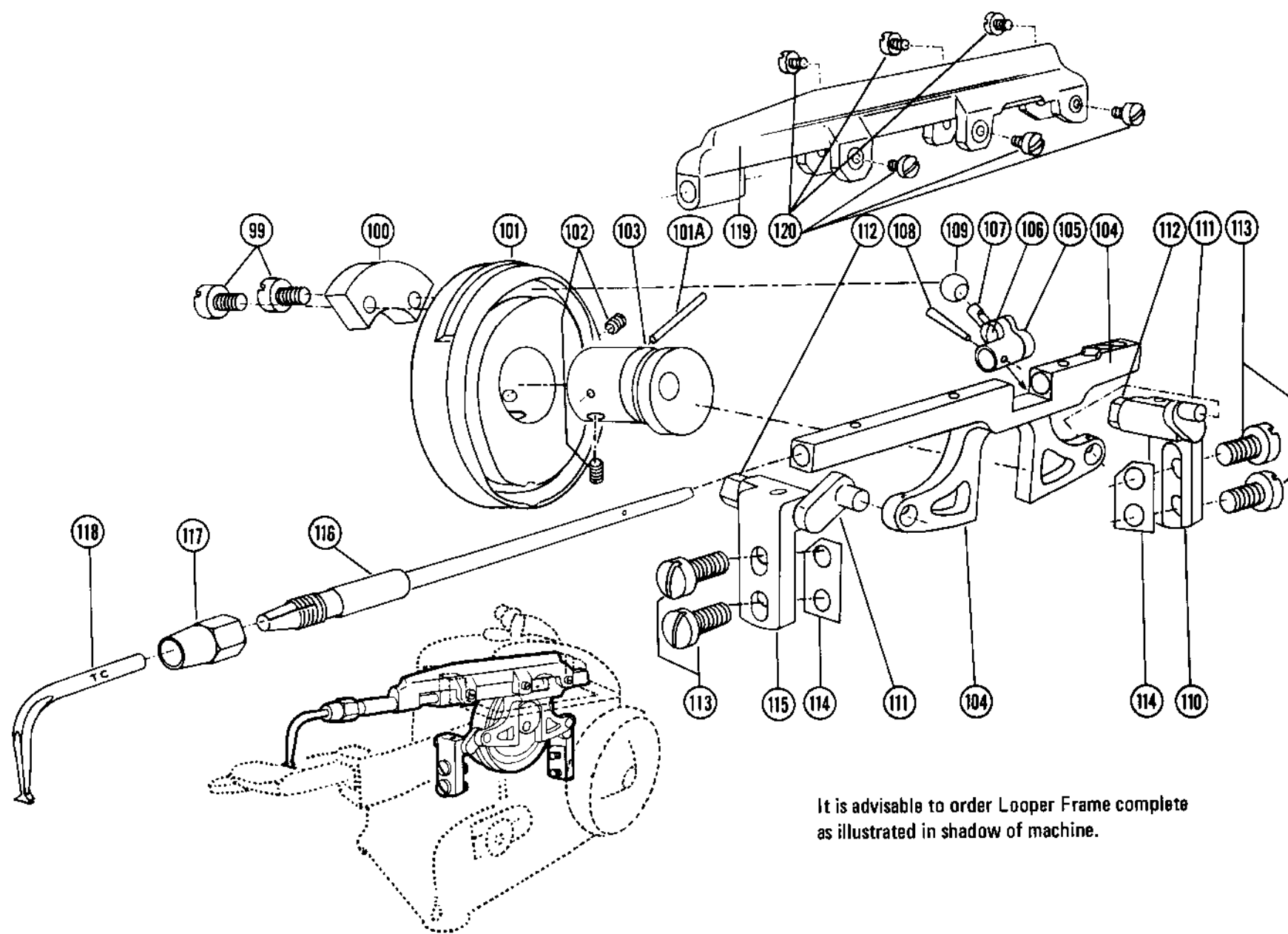
Bonis Mo

LOOPER FRAME ASSEMBLY

Refer. No.	Part No.	Description
99(2)	214	Balance Weight Screws
100	27	Balance Weight
101	149-T	Oscillating Cam
101-A	234	Looper Eccentric Pin
102(2)	202	Eccentric Set Screws
103	411-57	Looper Frame Hardened Steel Eccentric
104	144-TC	Looper Frame
105	9	Oscillating Arm
106	208	Looper Cam Roller Stud Set Screw
107	207	Looper Cam Roller Stud
108	239	Taper Pin
109	126	Looper Oscillating Roller
110	122-T-51/10-T-51/205/225	Back Rocker fitted complete with stud
111(2)	205	Looper Frame Rocker Stud
112(2)	225	Looper Frame Rocker Nut
113(4)	206	Looper Frame Rocker Bracket Screws
114(2)	143	Rocker Packing – specify thickness – .004, .006, .010, .020
115	410-51/422-51/205/412	Complete Front Rocker with Stud illustrated
116	124-TC	Looper Shaft
117	125	Hexagon Looper Chuck Shell
118	114-TC	Looper
119	144-B-TC	Looper Frame Support Bracket
120(6)	639	Looper Frame Support Bracket Pinch Screws

} *SOLD AS
COMPLETE
UNIT #9*

Frame. Model number is stamped on metal label attached on top cover.



It is advisable to order Looper Frame complete as illustrated in shadow of machine.

BONIS BROS. SEWING
131 West 29th Street • New York, N.Y.
Cable Address

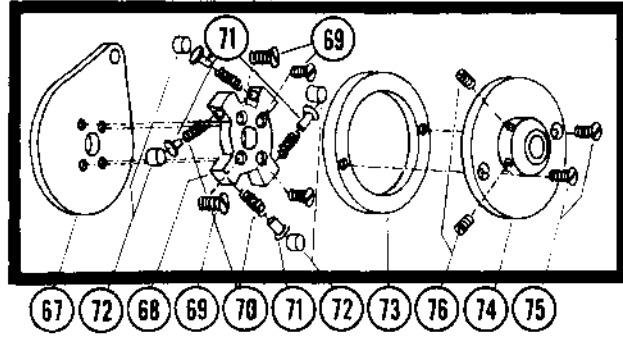
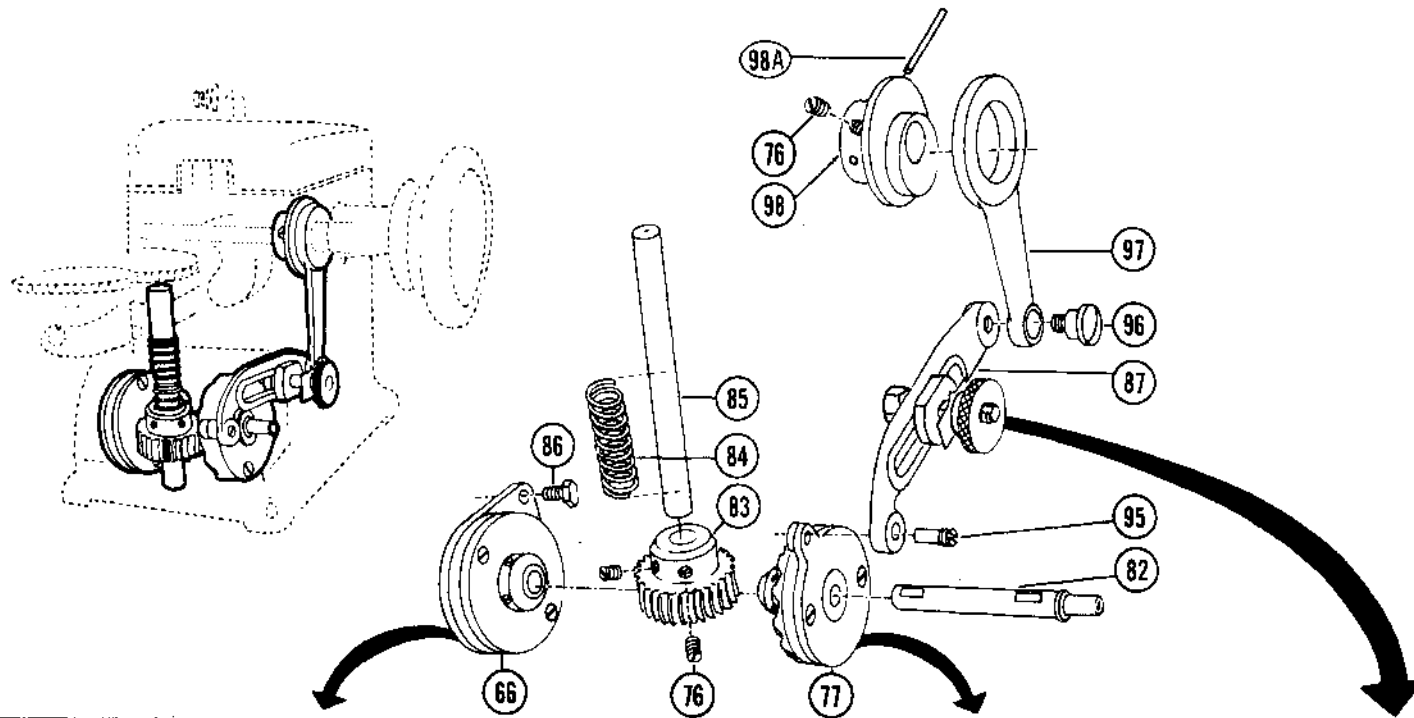
From the library of: Superior Sewing Machine & Supply LLC

GEAR & FEED FRAME

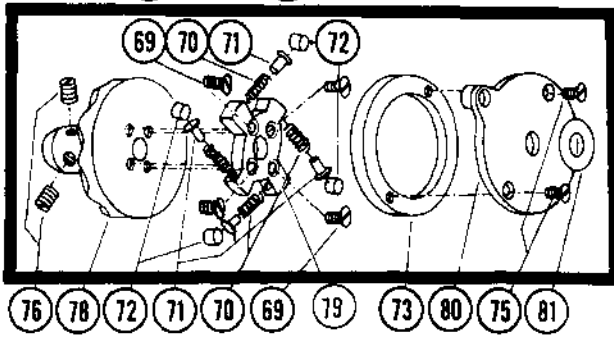
Refer No.	Part No.	Description	
66	416	Left Side Feed Retaining Drum Complete	
67	630	Feed Retaining Drum Plate	
68	629	Feed Retaining Drum Cam	
69 (4)	427	Feed Gear Cam Set Screws	
70 (4)	424	Feed Gear Roller Spring	
71 (4)	423	Feed Gear Roller Pin	
72 (4)	421	Feed Gear Roller	
73	419	Feed Gear Ring – Left and Right Side of Gear,	
74	628	Feed Retaining Drum	
75 (2)	426	Feed Gear Plate Screws	
76	202	Set Screws	
		Right Side Feed Gear uses same numbers on screws, roller springs, pins and cams	
77	416-C	Right Side Feed Gear Complete	
78	416	Feed Gear Only	
79	420	Feed Gear Cam	
80	425	Feed Gear Plate	
81	418	Feed Gear Shaft Washer	
82	417	Feed Gear Shaft	
83	17	Feed Gear (Small)	
84	132	Feed Disc Shaft Spring	
85	106	Disc Shaft	
86	433	Feed Retaining Drum Plate Shoulder Screw	
87	15-C	Feed Lever Fitted Complete	
88	228	Stitch Stud Nut	
89	123	Feed Lever Washer	
90	15	Feed Lever Only	
91	111	Stitch Regulating Block	
92	109	Stitch Regulating Stud	
93	112	Stitch Indicator	
94	110	Stich Regulating Stud Nut	
95	211	Feed Dog Driving Screw	
96	209	Feed Lever Screw	
97	14	Feed Connection	} SOLO AS COMPLETE UNIT #13 & 14/B-C
98	13-B	Feed Eccentric	
76	202	Set Screws	
98-A	235	Feed Eccentric Pin	

****C** after Part Number Denotes "COMPLETE"**

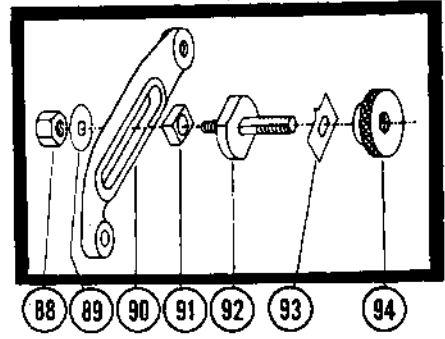
Special Gauges for Special Work are Available



(Left Side Feed Retaining Drum Not Assembled)



(Right side Feed Gear not assembled)



(Feed Lever Not Assembled)

ILLUSTRATED IN SHADOW MACHINE—GEAR AND FEED
ASSEMBLY INSTALLED IN MAIN FRAME—COMPLETE

BLIES FOR
TC-57

From the library of: Superior Sewing Machine & Supply LLC

NEEDLE BAR ASSEMBLY

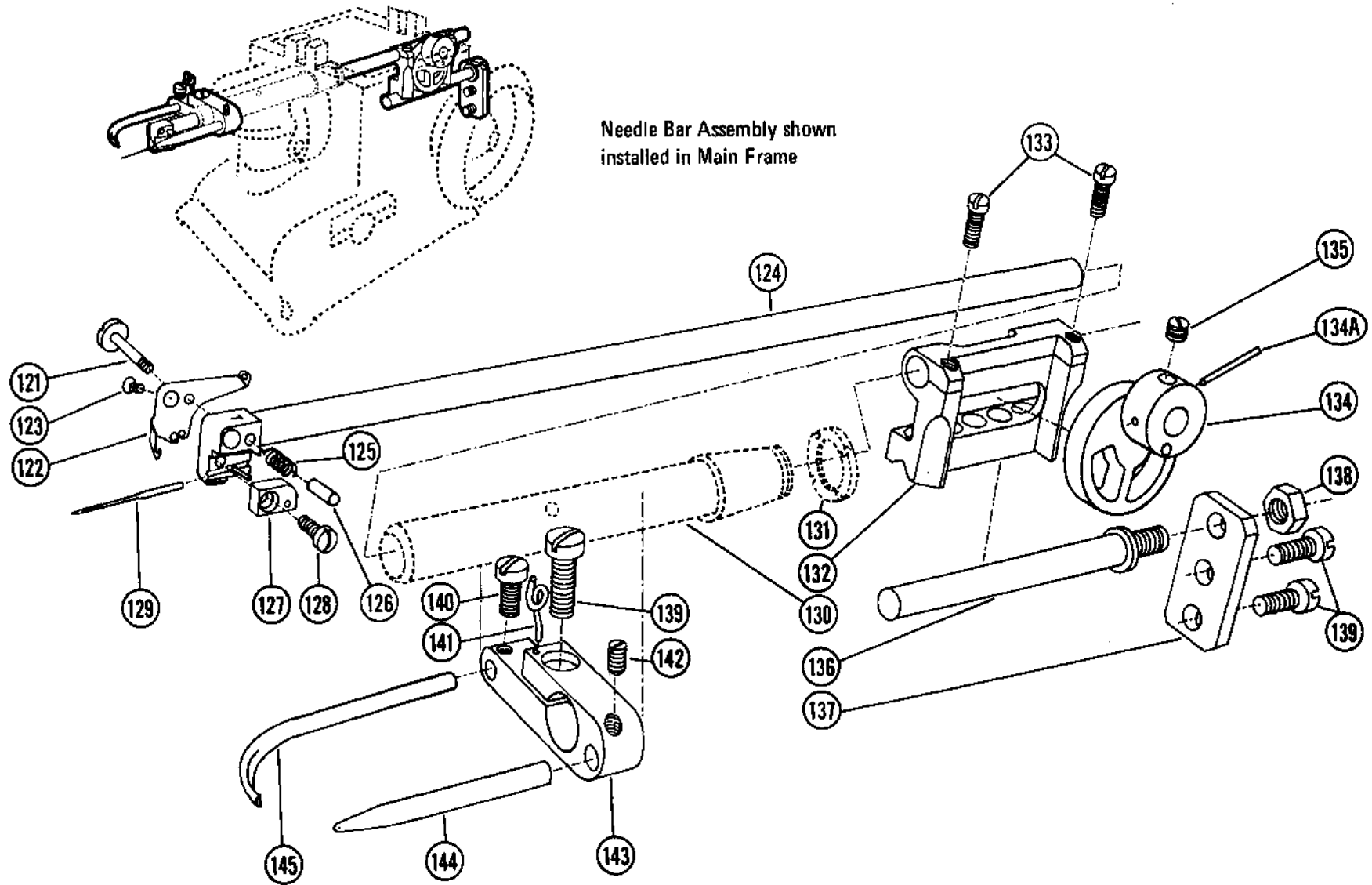
Refer. No.	Part No.	Description
121	215.....	Needle Bar Tension Plunger
122	115-T.....	Needle Bar Tension Plate
123	217.....	Needle Bar Tension Plate Screw
124	113-½TC.....	Needle Bar
125	134.....	Needle Bar Tension Spring
126	216.....	Needle Bar Plunger Nut
127	119.....	Needle Clamp
128	227.....	Needle Clamp Screw
129	Needle, Bonis System H	
130	117-B-TC.....	Needle Bar Bearing
131	118-T.....	Needle Bar Bearing Collar
132	466-51.....	Needle Bar Yoke
133(2)	218.....	Needle Bar Yoke Pinch Screws
134	7-B-51.....	Needle Bar Yoke Eccentric
134-A	235.....	Yoke Eccentric Pin
135	202.....	Yoke Eccentric Set Screw
132, 133, 134, 125	Sold as complete unit #466-51-C	
136	467.....	Needle Bar Yoke Support Shaft
137	469.....	Needle Bar Yoke Adjustable Bracket
138	468.....	Needle Bar Yoke Lock Nut
139(3)	210.....	Needle Bar Yoke Adjustable Bracket Screws
140	214.....	Guide Screw
141	128.....	Thread Guide
142	229.....	Tension Post Screw
143	117-C-TC.....	Needle Bar Bearing Support
144	116.....	Needle Bar Tension Post
145	127-T.....	Work Guide

****C** after Part Number Denotes "COMPLETE"**

DEALER:

REFERENCE NUMBERS ON EACH PLATE ARE NOT NECESSARILY THE SAME, HOWEVER, THE PART NUMBER, IF A DUPLICATE IS THE SAME.

Printed in U.S.A.



MACHINERY CORP.
 N. Y. 10001 • 212/563-6161
 "BONIBRO"

From the library of: Superior Sewing Machine & Supply LLC